

REMINGTON®

EST. NEW YORK 1937

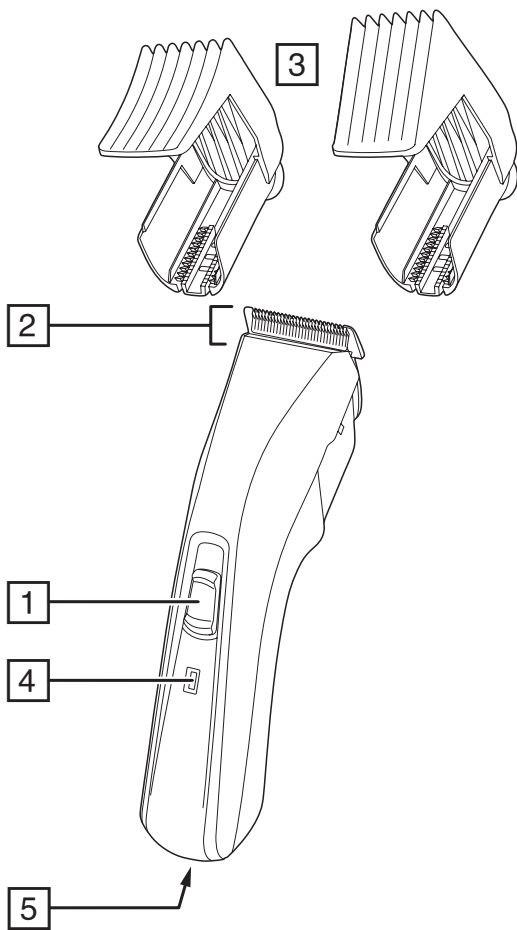


Cord/Cordless Hair Clipper HC5150

 remington-europe.com

Register online for an EXTRA year guarantee

Visit uk.remington-europe.com/product-registration You must register within 28 days of purchase.



Thank you for buying your new Remington® product. Please read these instructions carefully and keep them safe. Remove all packaging before use.

IMPORTANT SAFEGUARDS

- This appliance can be used by children aged from 8 years and above and persons with reduced physical, sensory or mental capabilities or lack of experience and knowledge if they have been supervised/instructed and understand the hazards involved. Children shall not play with the appliance. Cleaning and user maintenance shall not be done by children unless they are older than 8 and supervised. Keep the appliance and cable out of reach of children under 8 years.
- ⊘ Do not use this appliance near bathtubs, showers, basins or other vessels containing water.
- Do not use the product with a damaged cord. A replacement can be obtained via our International Service Centres.
- This product should only be used with the charging adaptor supplied.
- **WARNING:** Keep the appliance dry.
- **WARNING:** For recharging the battery, only use the charger supplied with the appliance - type reference PA-3215U.
- The adaptor contains a transformer. Do not cut off the adaptor to replace it with another plug, as this causes a hazardous situation.
- Use this appliance only for its intended use as described in this manual. Do not use attachments not recommended by Remington.
- Do not use this product if it is not working correctly, if it has been dropped or damaged, or dropped in water.
- This appliance should never be left unattended when plugged into a power outlet, except when charging.
- Do not plug or unplug the appliance with wet hands.
- This appliance is not intended for commercial or salon use.



PARTS

- | | |
|-----------------------------|-------------------|
| 1. On / Off Switch | 5. Power port |
| 2. Blade set | <i>Not shown:</i> |
| 3. 2 attachment guide combs | • Adaptor |
| 4. Charging indicator light | |
-

GETTING STARTED

CHARGING YOUR APPLIANCE

- Before using your hairclipper for the first time, charge for 14-16 hours.
- Ensure the product is switched off.
- Connect the charging adaptor to the product and then to the mains.
- The charging indicator will illuminate.
- The charging indicator will remain illuminated after the battery is fully charged.
- Your clipper cannot be overcharged. However, if the product is not going to be used for an extended period of time (2-3 months), unplug it from the mains and store.
- Fully recharge your hairclipper when you would like to use it again.
- To preserve the life of your batteries, let them run out every 6 months then recharge for 16-20 hours.

CHARGING VIA STANDARD ELECTRICAL SOCKET

- Ensure the product is switched off.
- Connect the charging adaptor to the product and then to the mains.
- Allow 14-16 hours for a full charge.

CORDED USE

- Connect the charging adaptor to the product then to the mains.
- When the cord is connected to the mains, a charging LED light is displayed on the hairclipper.
- The charging LED light will turn off when the unit is switched on.

CAUTION

Extended mains only use will result in the reduction of the battery life.

CORDLESS USE

- When the unit is switched on and fully charged, the product can be used in cordless mode for up to 30 minutes.



INSTRUCTIONS FOR USE

BEFORE STARTING THE CUT

- Inspect the clipper making sure that it is free from hair and dirt.
- Seat the person so that their head is approximately at your eye level.
- Before cutting, always comb the hair so it is tangle free and dry.

Comb position	Short comb	Long comb
1	3 mm	24 mm
2	6 mm	27 mm
3	9 mm	30 mm
4	12 mm	33 mm
5	15 mm	36 mm
6	18 mm	39 mm
7	21 mm	42 mm

TO ATTACH A COMB

- Hold the comb with its teeth upward.
- Slide it onto and along the clipper blade until the front of the comb firmly sits against the clipper blade.

TO REMOVE THE COMB

- Holding the clipper with the blades facing away from you, firmly push the comb upward and away from the blades.

INSTRUCTIONS FOR CUTTING HAIR

- For even cutting, allow the comb attachment/blade to cut its way through the hair. Do not force it through quickly. If you are cutting for the first time, start with the maximum comb attachment.

STEP 1 – NAPE OF THE NECK

- Set the comb to 3mm or 6mm.
- Hold the clipper with the blade teeth pointing upwards. Begin starting at the centre of the head at the base of the neck.
- Slowly lift the clipper, working upwards and outwards through the hair, trimming just a little at a time.

STEP 2 – BACK OF THE HEAD

- With the comb set at 12mm or 18mm, cut the hair at the back of the head.

STEP 3 – SIDE OF THE HEAD

- Set the comb to 3mm or 6mm, trim sideburns. Then change the setting to 9mm and continue to cut the top of the head.

STEP 4 – TOP OF THE HEAD

- Use the longer length comb attachment and set it to 24mm or 27mm then cut hair on top of the head against the direction in which the hair normally grows.
- For longer hair on top, use the longer length comb attachment (24 – 42mm) to achieve the desired style.
- Always work from the back of the head.

STEP 5 – THE FINISHING TOUCHES

- Use the clipper without an attachment comb for close trimming around the base and sides of the neck.
- To produce a clean straight line at the sideburns, reverse the hair clipper. Place the reversed clipper at right angles to the head, tips of the blades lightly touching the skin and then work downwards.

SHORT TAPERED STYLES – “FLAT TOPS” & SHORT CUTS

- Starting with the longest guide comb attached (24 - 42mm), cut from the back of the neck to the crown. Hold the guide comb flat against the head and slowly move the clipper through the hair.
- Use the same procedure from the lower side to the upper side of the head. Then cut the hair against the direction in which it grows and level with the sides.
- To give a “flat top” look, the hair on top of the head must be cut over the top of a flat comb.
- Use a closer guide comb to taper the hair down to the neckline as desired.

CARE FOR YOUR HAIRCLIPPER

Your clipper is fitted with high quality blades. To ensure long lasting performance of your clipper, clean the blades and unit regularly. Always keep the attachment guide comb on the trimmer blade.

AFTER EACH USE

- Ensure the clipper is switched off and disconnected from the mains before cleaning.
- Brush the accumulated hair from the blades. Do not submerge the clipper in water.
- To clean unit, wipe with damp cloth and dry immediately.

EVERY SIX MONTHS

- At regular intervals the blade set should be removed and cleaned.
- Remove the 2 screws retaining the fixed blade with a screwdriver. Do not remove blade set.
- Brush out hairs from between the blades with soft cleaning brush. Do not remove the lubricating grease from the blades. It is not necessary to remove the small

- moving blade from the unit.
- If the moving blade has been removed this can be re-fitted by slotting the coated blade holder over the pin in the centre of the interior product head. The groove on the coated blade, just below the teeth, rests on a metal plate at the opposite side to the screw holes. The fixed blade is fitted with the raised profile pointing outwards and fixed with the 2 screws.
- Note that if the blades are not correctly aligned then cutting efficiency will be impaired.
- Place a few drops of cutter or sewing machine oil onto the blades. Wipe off excess oil.

CLEANING CAUTIONS

- Only the attachment guide combs and trimmer blade may be removed from the product for cleaning.
- Cleaning should be done with a soft brush, such as the brush supplied with the product.
- Do not rinse under water.
- Do not use harsh or corrosive cleaners on the units or their blades.
- Ensure the appliance is switched off and unplugged from the main outlet before cleaning.

BATTERY REMOVAL

- The battery must be removed from the appliance before it is scrapped.
- The appliance must be disconnected from the supply mains when removing the battery.
- Ensure that the clipper is discharged of all power and disconnected from the mains
- Lift or pry the USB port cover plate on the bottom of the clipper.
- Lift or pry the deco plate on the lower portion of the clipper and unscrew 1 screw located on the back housing of the clipper.
- Lift or pry the clipper halves apart, exposing the battery chamber.
- Remove the battery and printed circuit board assembly from the battery chamber.
- Cut the tabs on both ends of the battery and remove it from the printed circuit board.
- The battery is to be disposed of safely.

ADAPTER SPECIFICATIONS

Manufacturer address and registration number	Spectrum Brands (UK) Limited, Regent Mill, Fir Street, Failsworth, Manchester M35 0HS Company number: 02394603
Adapter model number	PA-3215U
Input voltage	100 - 240 V~
Input AC Frequency	50/60Hz
Output voltage	3.2 V ===
Output current	1.5 A
Output power	4.8 W
Average active efficiency	≥73.31%
Efficiency at 10%	-
No load power consumption	≤0.1W



RECYCLING



To avoid environmental and health problems due to hazardous substances, appliances and rechargeable and non-rechargeable batteries marked with one of these symbols must not be disposed of with unsorted municipal waste. Always dispose of electrical and electronic products and, where applicable, rechargeable and non-rechargeable batteries, at an appropriate official recycling/ collection point.



SERVICE AND GUARANTEE



Defects affecting product functionality appearing within the guarantee period will be corrected by replacement or repair at our option provided the product is used and maintained in accordance with the instructions. Your statutory rights are not affected.

This warranty shall not be valid where it is contrary to U.S. and other applicable laws, or where the warranty would be prohibited under

any economic sanctions, export control laws, embargos, or other restrictive trade measures enforced by the United States or other applicable jurisdictions. This includes, without limitation, any warranty claims implicating parties from, or otherwise located in, Cuba, Iran, North Korea, Syria and the Crimea region.

To claim an extra 1 year guarantee, register your product online within 28 days of purchase.

Register at: <https://uk.remington-europe.com/product-registration>

Consumables are guaranteed only for their recommended lifecycle. Replacement/spare parts* are excluded and are only covered by a 1 year warranty.

*Examples include, but are not limited to, adaptors, haircare attachments, grooming accessories, etc.

SERVICE CENTRE

UNITED KINGDOM

☎ 0800 212 438 (free call mainland UK)

Spectrum Brands (UK) Ltd
Fir Street, Failsworth, Manchester
M35 0HS, UK




www.remington.co.uk
productsupport@Remington.co.uk

IRELAND

☎ 142 951 40

Remington Consumer Products,
Unit B12, Ballymount Corporate Park,
Ballymount, Dublin 12

<https://ie.remington-europe.com>
productsupport@Remington.co.uk



Ref. No. HC5150

Type No. HC5150

21/UK/ HC5150 T22-7001919 Version 01 /21
Remington® is a Registered Trade Mark of Spectrum Brands, Inc., or one of its subsidiaries.
Spectrum Brands (UK) Ltd
Fir Street,
Failsworth,
Manchester
M35 0HS
remington-europe.com

© 2021 Spectrum Brands, Inc.

