

REMINGTON®

Curl Revolution Styler



CI606

Register online for
£10,000 prize draw
EXTRA year guarantee
FREE rewards gallery



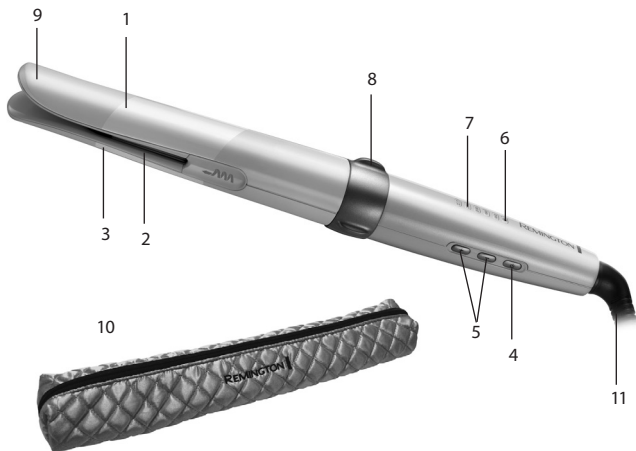
Visit www.productregister.co.uk/remington.
You must register within 28 days
of purchase.

Thank you for buying your new Remington® product. Please read these instructions carefully and keep them safe. Remove all packaging before use.

*** WARNING: This appliance is hot. Keep out of reach of children at all times.**

IMPORTANT SAFETY INSTRUCTIONS

- 1 This appliance can be used by children aged from 8 years and above and persons with reduced physical, sensory or mental capabilities or lack of experience and knowledge if they have been supervised/instructed and understand the hazards involved. Children shall not play with the appliance. Cleaning and user maintenance shall not be done by children unless they are older than 8 and supervised. Keep the appliance and cable out of reach of children under 8 years.
- 2 Always ensure the voltage to be used corresponds to the voltage stated on the unit before plugging the appliance into the mains socket.
- 3 Warning: Do not use this appliance near bathtubs, showers, basins or other vessels containing water.
- 4 When the appliance is used in a bathroom, unplug it after use since the proximity of water presents a hazard even when the appliance is switched off.
- 5 For UK, Household Use Only. Currently, the fitting in a bathroom of an electrical socket suitable or capable of operating the dryer/straightener is not permitted (see B57671).
- 6 Do not wrap the cord around the unit. Check the cord regularly for any sign of damage.
- 7 If the supply cord of this unit becomes damaged, discontinue use immediately and return the appliance to your nearest authorised Remington® service dealer for repair or replacement in order to avoid a hazard.
- 8 Do not use the appliance if it is damaged or malfunctions.
- 9 Do not allow any part of the appliance touch the face, neck or scalp.
- 10 Do not leave the appliance unattended while plugged in.
- 11 Only set the appliance down on a heat-proof surface.
- 12 Do not place the appliance on any soft furnishings.
- 13 Do not use attachments other than those we supply.
- 14 This appliance is not intended for commercial or salon use.
- 15 Let the appliance cool down before cleaning and storing away.



👁️ KEY FEATURES

- | | |
|-----------------------------|-------------------------|
| 1 Rotating Barrel | 7 Temperature display |
| 2 Opening in barrel | 8 2-way rotation switch |
| 3 Shorter opening side | 9 Cool tip |
| 4 On-off switch | 10 Heat resistant pouch |
| 5 Temperature controls | 11 Swivel cord |
| 6 Temperature lock function | |

👁️ PRODUCT FEATURES

- Instant curl technology – barrel rotates either way at the touch of a switch.
- 4 x Protection coated barrel for smooth shine and less static – anti static, ceramic, tourmaline ionic, smooth glide coating.
- 5 variable heat settings - 160°C - 230°C.
- Fast heat up - ready in 15 seconds.
- Automatic safety shut off – this unit will switch itself off if no button is pressed or it is left on after 60 minutes.
- Multivoltage: for home or abroad. At 120V times and temperatures may vary.

INSTRUCTIONS FOR USE

- 1 Before use, ensure the hair is clean, dry and tangle-free.
- 2 For extra protection use a heat protection spray.
- * Hairsprays contain flammable material – do not use while using this product.
- 3 Section the hair prior to styling. Style the lower layers first.
- 4 To ensure optimum performance please ensure that the sections of hair are clean without any stray or loose hairs.
- 5 To achieve different curl sizes take different widths of sections. To enhance this also alter the temperature.
- 6 See below for a guide on how to achieve different curl sizes but this will vary dependent on your hair type.


Curl Type	Hair Section Width	Temperature Setting
Tight Curls	1cm	230°C
Medium Curls	3cm	200°C
Loose Curls	5cm	160°C

- 7 Plug the product into the mains power supply.
- 8 Press and hold the on button to switch on.
- 9 Start styling on lower temperatures first. Select appropriate temperature for your hair type using the controls on the side of the product.
- 10 To adjust the temperature use the +/- temperature controls on the side of the product. '+' increases the temperature '-' decreases the temperature.

* Recommended temperatures:-

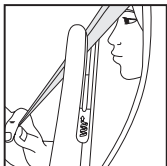
Temperature	Hair Type
160°C - 180°C	Thin/Fine, damaged or bleached hair
200°C - 220°C	Normal, healthy hair
230°C	Thick, very curly difficult to style hair

- * Caution: The hottest temperatures should only be used by experienced stylists.
- 11 The temperature display will stop flashing when the product is ready to use.

- 12 Holding the styler with one hand have the shorter opening side of the styler (indicated by ) at the top of the hair strand. With the other hand hold the bottom of the of the hair strand taught. Fig 1.



- 13 Slide a section of hair into the opening in the barrel. Fig 2.



- 14 Keeping hold of the bottom of the strand of hair ensure the hair strand sits across the styler at a diagonal angle. The gloss area on the styler barrel provides a guide to the correct angle the hair needs to be fed into the styler. Fig 3.



- 15 Still keeping hold of the bottom of the strand press the rotation switch in the direction you would like to curl the hair. Fig 4.



- 16 Pressing the switch to the right will rotate the barrel clockwise.
- 17 Pressing the switch to the left will rotate the barrel anti clockwise.
- 18 Release the hair strand and hold the styler in place with the rotation switch activated while the hair strand is automatically fed into the opening and rotates up the barrel until it drops off the end.
- 19 Allow the hair to cool before styling.
- 20 Repeat this around the head to create as many curls as desired.
- 21 After use, press and hold the off button for 2 seconds to turn off then unplug the appliance.

Temperature Lock Function

- Set the desired temperature by pressing +/- buttons and lock the temperature controls by pressing the '-' button for 2 seconds. The lock LED will illuminate.
- To unlock the temperature controls, press and hold the '-' button again for 2 seconds.
- Let the appliance cool down before cleaning and storing away.

CLEANING AND MAINTENANCE

- Unplug the appliance and allow to cool.
- Wipe all the surfaces with a damp cloth.
- Don't use harsh or abrasive cleaning agents or solvents.

ENVIRONMENTAL PROTECTION

To avoid environmental and health problems due to hazardous substances in electrical and electronic goods, appliances marked with this symbol must not be disposed of with unsorted municipal waste, but recovered, reused or recycled.



SERVICE AND GUARANTEE

Defects affecting product functionality appearing within the guarantee period will be corrected by replacement or repair at our option provided the product is used and maintained in accordance with the instructions.

Your statutory rights are not affected.

Consumables are excluded.


Defects from repair by an unauthorized dealer are not covered.

If you call the Service Centre, please have the Model No. to hand, as we won't be able to help you without it. The Model No. can be found on the rating plate of the appliance.

Replacement parts and accessories are available to buy at www.remington.co.uk/parts-accessories

➔ SERVICE CENTRE

United Kingdom

 Tel 0800 212 438 (free call mainland UK)

 +44 161 947 3111 (call outside the UK)

Spectrum Brands (UK) Ltd

Fir Street, Failsworth, Manchester

M35 0HS, UK

www.remington.co.uk

Ireland

 Tel 142 951 40

Remington Consumer Products,

Unit B12, Ballymount Corporate Park,

Ballymount, Dublin 12.

www.remington.co.uk

REGISTER ONLINE FOR

£10,000 prize draw, EXTRA year guarantee, FREE rewards gallery.

Visit www.productregister.co.uk/remington. You must register within 28 days of purchase.

Model No. CI606

14/UK/ CI606 T22-0002522 Version 11 /14

Remington® is a Registered Trade Mark of Spectrum Brands, Inc., or one of its subsidiaries.

Spectrum Brands (UK) Ltd

Fir Street,

Failsworth,

Manchester

M35 0HS

www.remington.co.uk

© 2014 SBI