

REMINGTON®

Heritage Fold Out Trimmer

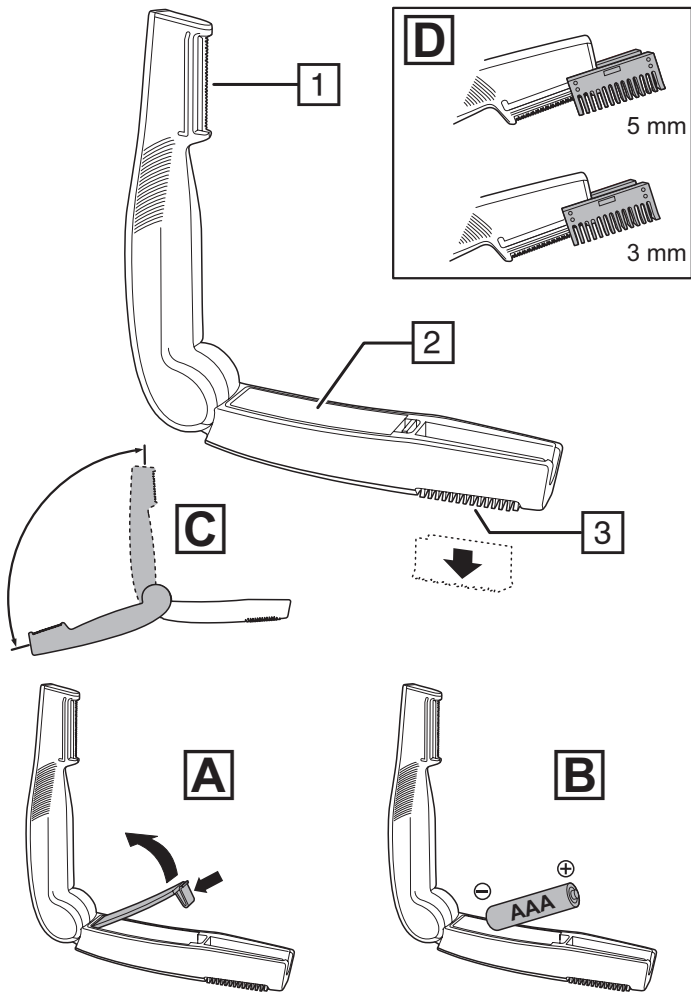


MPT1000

 www.remington.co.uk

Register online for an EXTRA year guarantee

Visit uk.remington-europe.com/product-registration You must register within 28 days of purchase.



Thank you for buying your new Remington® product. Please read these instructions carefully and keep them safe. Remove all packaging before use.

IMPORTANT SAFEGUARDS

- This appliance can be used by children aged from 8 years and above and persons with reduced physical, sensory or mental capabilities or lack of experience and knowledge if they have been supervised/instructed and understand the hazards involved. Children shall not play with the appliance.
- Do not use attachments other than those we supply.
- Do not use the appliance if it is damaged or malfunctions.
- This appliance is battery operated only.
- This product uses alkaline batteries. At the end of their life the batteries must be removed from the appliance and be recycled or disposed of properly in accordance with your state and local requirements.
- **WARNING:** Keep the appliance dry.
- The device is suitable for dry use only. Do not use in the shower or bath.
- Use with extreme care around the eye area. Do not use the device on your eyelashes.
- This appliance is not intended for commercial or salon use.

BATTERY SAFETY

- Remove batteries if the unit is not in use for long periods.
- It is not recommended to use a rechargeable battery.
- Do not try to charge non-rechargeable batteries.
- Different types of batteries or new and used batteries are not to be mixed.
- Do not dispose of used batteries in a fire.
- Do not short circuit the battery contacts.
- Used batteries must be removed from the appliance, recycled or disposed of in an environmentally friendly way (see RECYCLING).

PARTS

- | | |
|----------------------------------|-------------------|
| 1. Trimming head | <i>Not shown:</i> |
| 2. Battery compartment | • Pouch |
| 3. Dual setting comb (3 or 5 mm) | |

INSERTING/REPLACING THE BATTERY

1. Your trimmer requires 1 'AAA' alkaline battery (included).
2. Open the arms of the device so that you can access the battery compartment.
3. Remove the battery compartment cover by pressing the tab (fig. A).
4. Fit the battery with the polarity as shown (fig. B).
5. Replace the battery compartment cover.

INSTRUCTIONS FOR USE

The trimmer gently removes unwanted hair and is ideal for use on the face, neckline, beard and other small areas.

1. The trimmer will automatically switch on as you open the arms past about 90°. The operating range is shown in figure C. It will stop when you fold the arms together again.

BEARD MAINTENANCE

1. Use the trimmer without the comb fitted for edging and contouring the beard.
2. Use with the comb fitted for length trimming and maintenance.

TO TRIM UNWANTED HAIR

1. Hold the trimmer against the skin and apply gentle pressure.
2. Trim with and against the direction of hair growth to get the best results.

TO TRIM THE LENGTH OF THE EYEBROWS

1. Remove the comb from its storage compartment.
2. Slide the comb over the trimming head.
3. Select the desired length (3 or 5 mm) using the two slots on the side of the comb (fig. D).

TO SHAPE THE EYEBROWS

1. Hold the trimmer at a right angle to your skin and press down gently.
2. Edge and shape the area as desired.

CAUTION

- Do not apply excessive pressure, doing so may damage the trimmer head or result in skin injury.

CLEANING AND MAINTENANCE

- Wipe the main unit with a damp cloth and dry immediately.
- Note: Ensure the trimmer is turned off before cleaning.

RECYCLING



To avoid environmental and health problems due to hazardous substances, appliances and rechargeable and non-rechargeable batteries marked with one of these symbols must not be disposed of with unsorted municipal waste. Always dispose of electrical and electronic products and, where applicable, rechargeable and non-rechargeable batteries, at an appropriate official recycling/ collection point.

SERVICE AND GUARANTEE



Defects affecting product functionality appearing within the guarantee period will be corrected by replacement or repair at our option provided the product is used and maintained in accordance with the instructions. Your statutory rights are not affected.

To claim an extra 1 year guarantee, register your product online within 28 days of purchase.

Register at: <https://uk.remington-europe.com/product-registration>

Consumables are guaranteed only for their recommended lifecycle. Replacement/spare parts* are excluded and are only covered by a 1 year warranty.

*Examples include, but are not limited to, adaptors, haircare attachments, grooming accessories, etc.


SERVICE CENTRE

UNITED KINGDOM

 0800 212 438 (free call mainland UK)

Spectrum Brands (UK) Ltd
Fir Street, Failsworth, Manchester
M35 0HS, UK
www.remington.co.uk

IRELAND

 142 951 40

Remington Consumer Products,
Unit B12, Ballymount Corporate Park,
Ballymount, Dublin 12
<https://ie.remington-europe.com>

Ref. No. MPT1000

Type No. MPT05A

19/UK/ MPT1000 T22-7000787 Version 05 /19

Remington® is a Registered Trade Mark of Spectrum Brands, Inc., or one of its subsidiaries.

Spectrum Brands (UK) Ltd

Fir Street,

Failsworth,

Manchester

M35 0HS

www.remington.co.uk

© 2019 Spectrum Brands, Inc.